



 6000 Lumens

 Cold white

 80° Beam Angle

GENERAL FEATURES

| | |
|---------------------|----------|
| IP Protection grade | IP68 |
| Installation on | Hull |
| Dimensions | Ø 130 mm |
| Mounting hole | Ø 14 mm |
| Fixing system | screws |

MATERIALS

| | |
|------------|---------------------------|
| BODY | STAINLESS STEEL AISI 316L |
| INTERIOR | RESIN |
| DIFFUSER | TEMPERATED GLASS |
| Orientable | No |
| Flexible | No |
| Switch | No |

ELECTRICAL SPECIFICATIONS

| | |
|-------------------------------|------------------------|
| Type of power | Constant Voltage |
| Light source | 48 high luminosity led |
| Light Type | One Color |
| Power supply | 60 W |
| Power consumption | 10,5 - 30 Vd |
| Absorption | 2A@12V / 1@24V |
| Dimmable / Recommended dimmer | No |

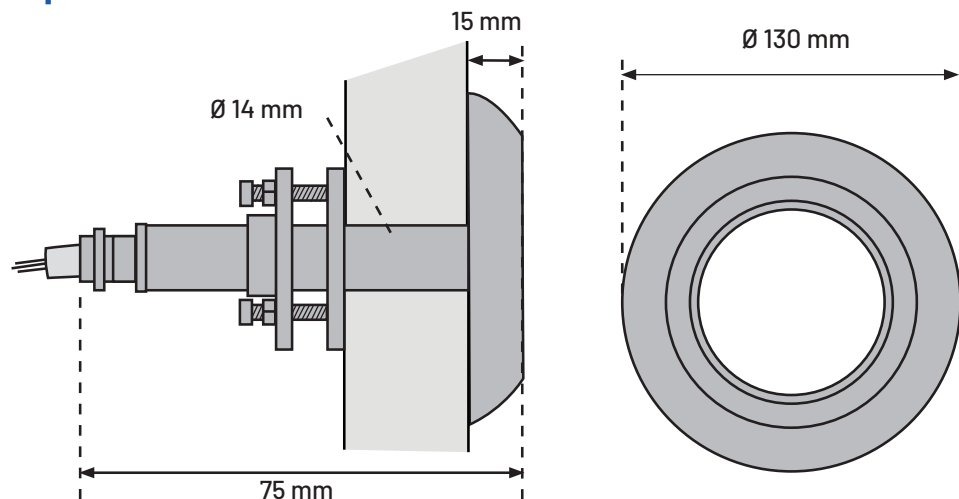
PHOTOMETRIC DATA

| | |
|-------------------------|----------------------------|
| Color Temperature | cold white (5500 - 6500°K) |
| Luminous flux typical | 6000 lm |
| Luminous efficacy | 125 lm/L |
| Available light colours | cold white / blue |

 Top Beam
80°

 Side Beam
80°

CERTIFICATIONS



SPECIFICATION FOR THE CONNECTION OF INDIVIDUAL UNIT

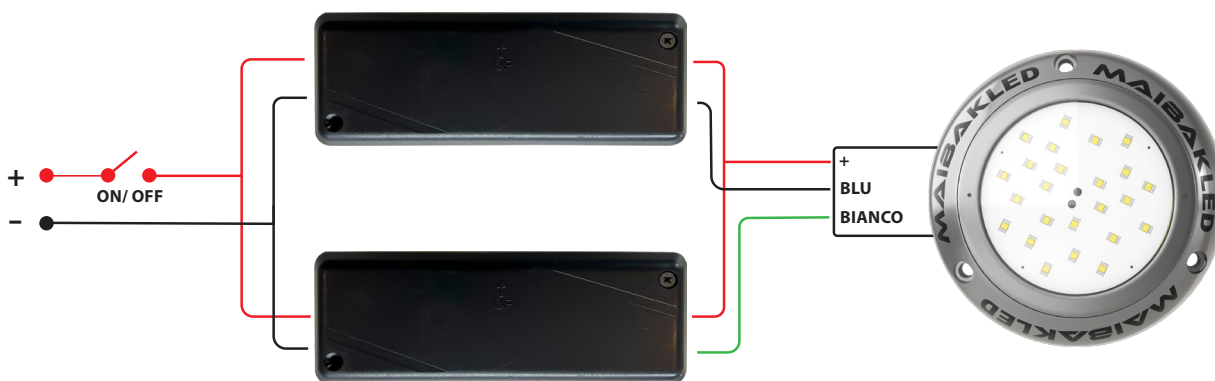
| | |
|-------------------|----------------|
| Power | 60 W |
| Power Supply | 10,5 - 30 Vdc |
| Operating Voltage | 2A@12V / 1@24V |

CONNECTION INFORMATIONS

WARNINGS

Use your own supplied power supply.
Do not connect the appliance directly to the mains (AC).

This product can be connected in parallel.



INSTRUCTIONS FOR ASSEMBLY

- 1 Drill a \varnothing 14mm hole through the hull where the light's center position will be.

- 2 Apply marine grade sealant liberally to the stem and the back perimeter of the light body (as shown in the diagram), as well as around the screw holes.

- 3 Insert the light body into the hull, feeding the stem through first. Press the light into the hull and twist slightly to spread the sealant around evenly behind the light, and then attach the light with fasteners suitable for the type of hull.

- 4 **WARNING:** The lamp should be wired to a zinc hull anode with an electrical cable.

- 5 Paint the metallic frame of the light with a compatible antifouling paint.

- 6 Complete the electrical installation by following the wiring diagram.

- 7 In case of any doubts, contact the dealer or MAIBAKLED.

- 8 Before installing on steel or aluminum boat hulls (in order to avoid galvanic corrosion), contact the dealer or MAIBAKLED.

- 9 Before installing on a cored fiberglass hull, contact the dealer or MAIBAKLED.

- 10 To prevent the LED lights from overheating, do not leave the lights on for more than one minute when they are not submerged in water. (The lights should only be turned on for testing purposes).

